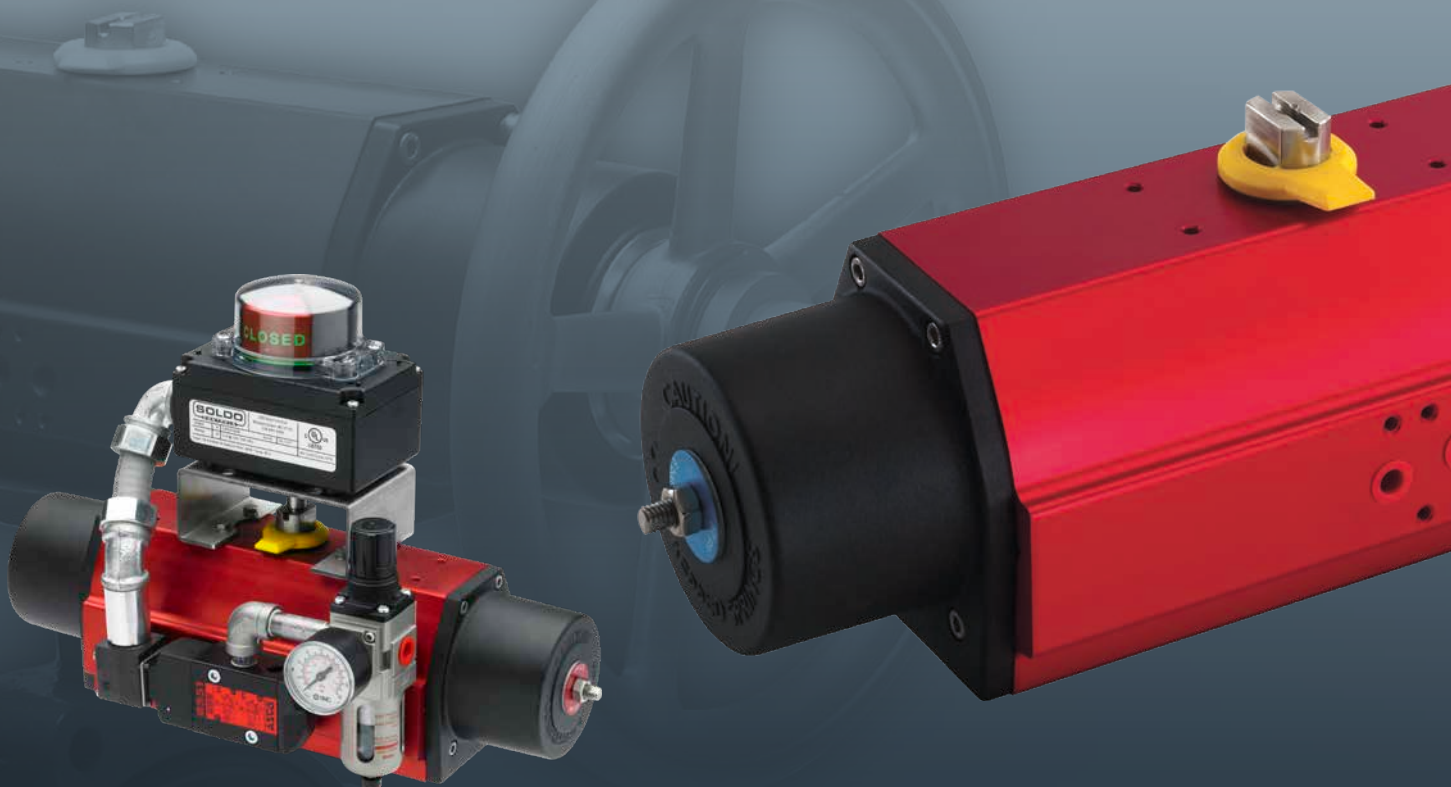


rotork[®]

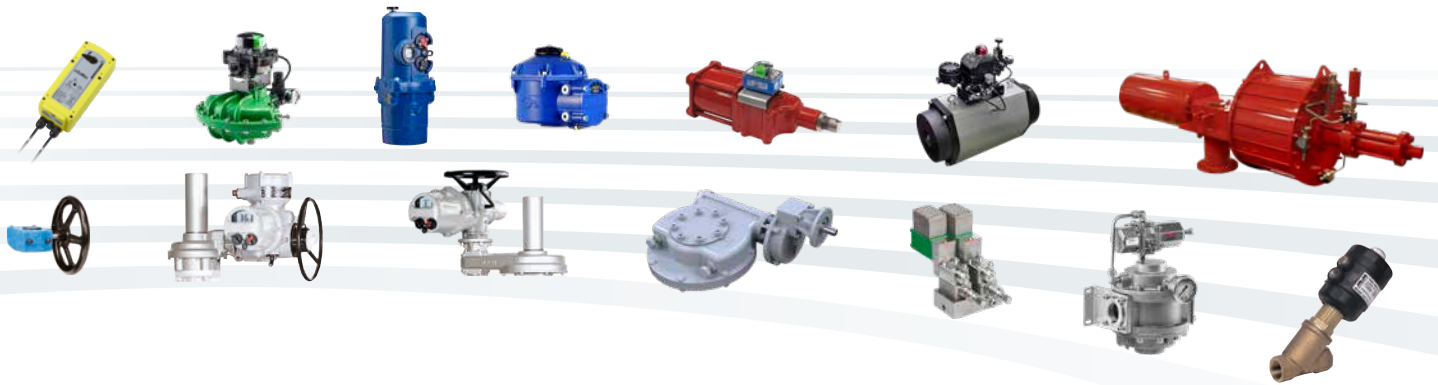
Keeping the World Flowing
for Future Generations

RC200 Range



Compact Scotch-Yoke Actuators for Quarter-Turn Valves

Reliability in critical flow control applications



› Reliable operation when it matters

Assured reliability for critical applications and environments. Whether used infrequently or continuously, Rotork products will operate reliably and efficiently.

› Quality-driven global manufacturing

We offer products that have been designed with over 60 years of industry and application knowledge.

Our research and development ensures cutting edge products are available for multiple applications across multiple industries.

› Customer focused service and worldwide support

Rotork solve customer challenges and develop new solutions that are tailored to the needs of our clients.

We offer dedicated, expert service and support from initial inquiry, to product installation, to long-term after-sales care.

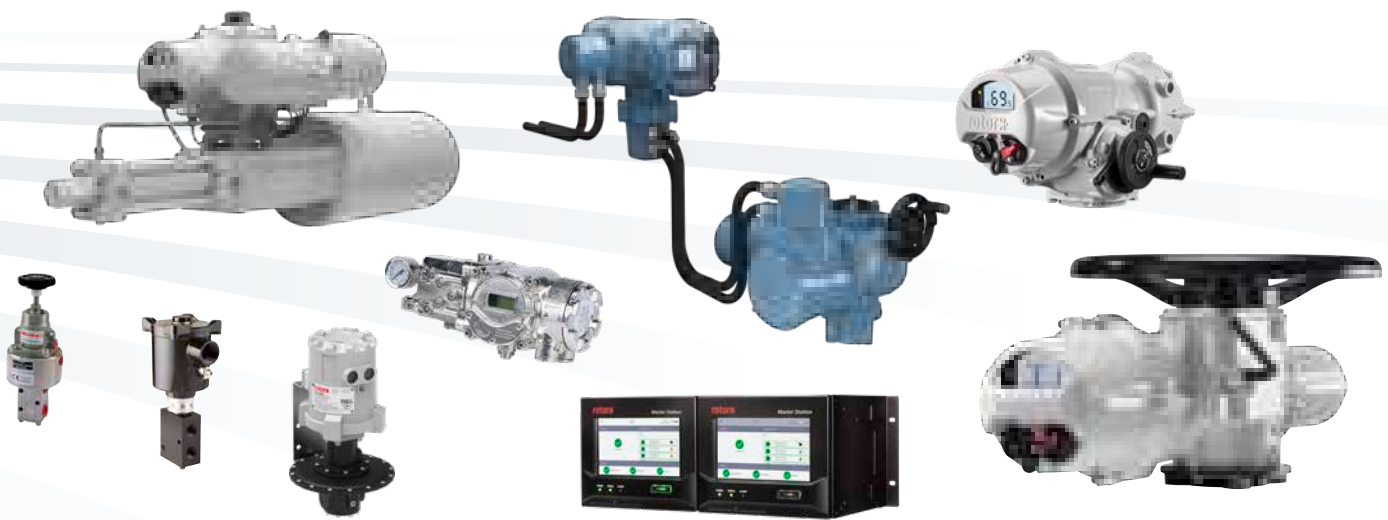
› Low cost of ownership

Long-term reliability prolongs service life.

Rotork helps to reduce long-term cost of ownership and provides greater efficiency to process and plant.

RC200 Range

Section	Page	Section	Page
Rotork	2	Dimensions	8
RC200 Compact Scotch-Yoke Actuators	4	Performance Data	10
Fitting Accessories	5	Torque Data	11
Specifications	6	Site Services	14
Inside The RC200 Actuator	7		



Comprehensive product range serving multiple industries

Rotork products offer improved efficiency, assured safety and environmental protection across sectors such as the Power, Oil & Gas, Water & Wastewater, HVAC, Marine, Mining, Pulp & Paper, Food & Beverage, Pharmaceutical and Chemical sectors.

Market leaders and technical innovators

We have been the recognised market leader in flow control for over 60 years.

Our customers rely upon Rotork for innovative solutions to safely manage the flow of liquids, gases and powders.

Global presence, local service

We are a global company with local support.

Manufacturing sites, service centres and sales offices throughout the world provide unrivalled customer services, fast delivery and ongoing, accessible support.

Environmental, Social and Governance is at the heart of our business

Our ambition is to become recognised as a sustainability leader within our industry. We are positioning ourselves to better understand and predict customers' needs and play our fullest role in enabling smart solutions for global sustainability challenges.

RC200 Compact Scotch-Yoke Actuators

The Rotork RC200 pneumatic actuator features a modern scotch-yoke mechanism that provides high start- and end-torque output in a very compact package. It is available in both double-acting and spring-return configurations with an optional integral manual override.

The spring-return actuators feature epoxy-coated springs contained within an anodised cartridge. Pistons are guided in three places by high performance bearing materials which ensure proper alignment, long seal life and smooth operation.

RC200 actuators have the lowest weight and the smallest external dimensions of any actuator with an equivalent torque output. This yields a compact and light yet robust valve / actuator package, particularly when a manual override solution is required. Another benefit is that they have less stroke volume than comparable rack and pinion actuators, providing a significant saving in the use of compressed air.

Quality

RC200 actuators are manufactured under strict quality control in an ISO 9001 / 14000 environment. They comply with all standard international requirements and are CE marked according to PED and ATEX. We use only top-quality materials in a precisely engineered and manufactured product so our actuators are very long lasting. We are proud to provide a unique three-year warranty.

Efficiency

Unlike rack and pinion designs often offered by our competitors, the RC200 with its scotch-yoke drive gives at least 50% more torque in the end positions, where most valves require it.

Reliability

Every Rotork actuator is built to provide long and efficient service with a minimum of maintenance. The design, engineering and materials used in their construction ensure optimum performance even in the harshest of environments.

As a global leader in valve actuation technology, we provide a comprehensive range of valve actuators, controls and associated equipment. We also supply a variety of valve actuator services including commissioning, preventive maintenance and retrofit solutions.

Rotork specialises in the production and support of fluid power actuators and control systems. We are dedicated to providing the marketplace with the latest technology, consistently high quality, innovative design, excellent reliability and superior performance.

We maintain dedicated engineering groups for Applications, Product Improvement and New Product Development so that our customers can gain all the benefits that ever advancing technologies have to offer and to ensure our efforts are in step with the continually evolving needs of our customers.

Most importantly, we have a long-standing commitment to meeting the special needs of a wide range of applications including: oil and gas exploration and transportation; municipal water and wastewater treatment; power generation; and the chemical and process industries.

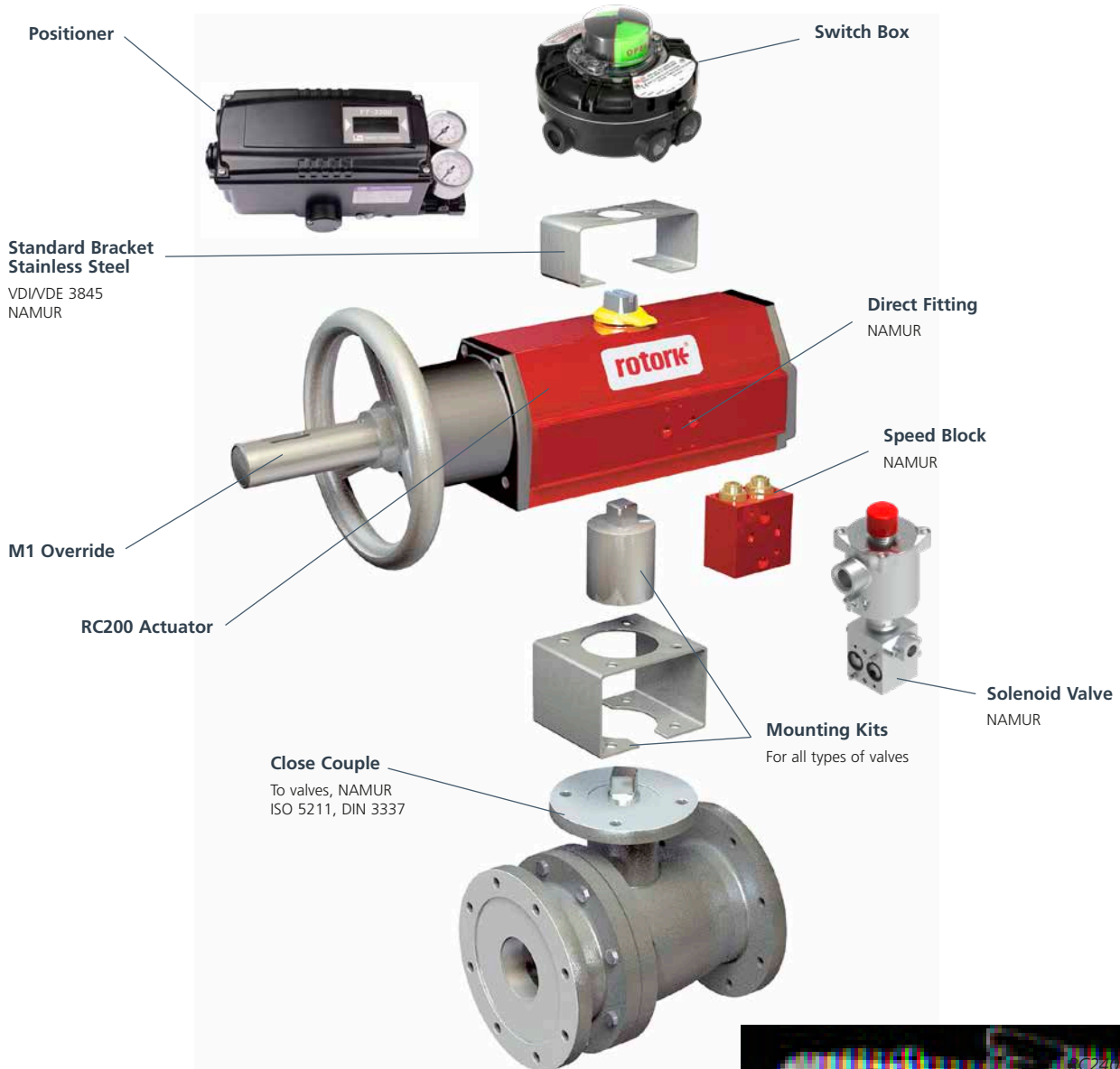
With over 60 years of engineering and manufacturing expertise, we have tens of thousands of successful valve actuator installations throughout the world.



Fitting Accessories

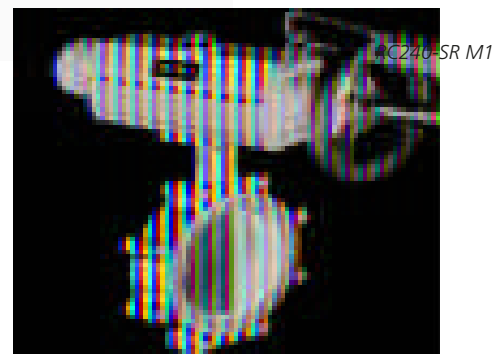
The Right Accessory Solutions

Valves and actuators perform to best effect when the correct solution is expertly engineered. With decades of experience engineering fluid power valve automation for a multitude of applications and markets, you can depend on Rotork to provide a reliable and safe automation solution to meet your requirements.



Compact Declutchable Handwheel

The override is integrated in the endcap of the actuator and can be fitted to all RC200 series units in both double-acting and spring-return configurations. The RC M1 manual override is the optimum solution for users requiring a compact unit of minimum weight and size.



Specifications

Specifications

Operating Pressure: 2-10 bar (30-145 psi)

Torque Output: Up to 4,400 Nm (39,000 lbf.in)

Temperature Ranges (Actuators Remain Air Tight):

Standard:	-20 to +80 °C	(-4 to +175 °F)
High:	0 to +150 °C	(+32 to +300 °F)
Low:	-40 to +60 °C	(-40 to +140 °F)
Arctic:	-47 to +60 °C	(-52 to +140 °F)

Note: All RC200 actuators withstand temperatures down to -55 °C (LTA -60 °C) before mechanical operation is impaired.

Standards:

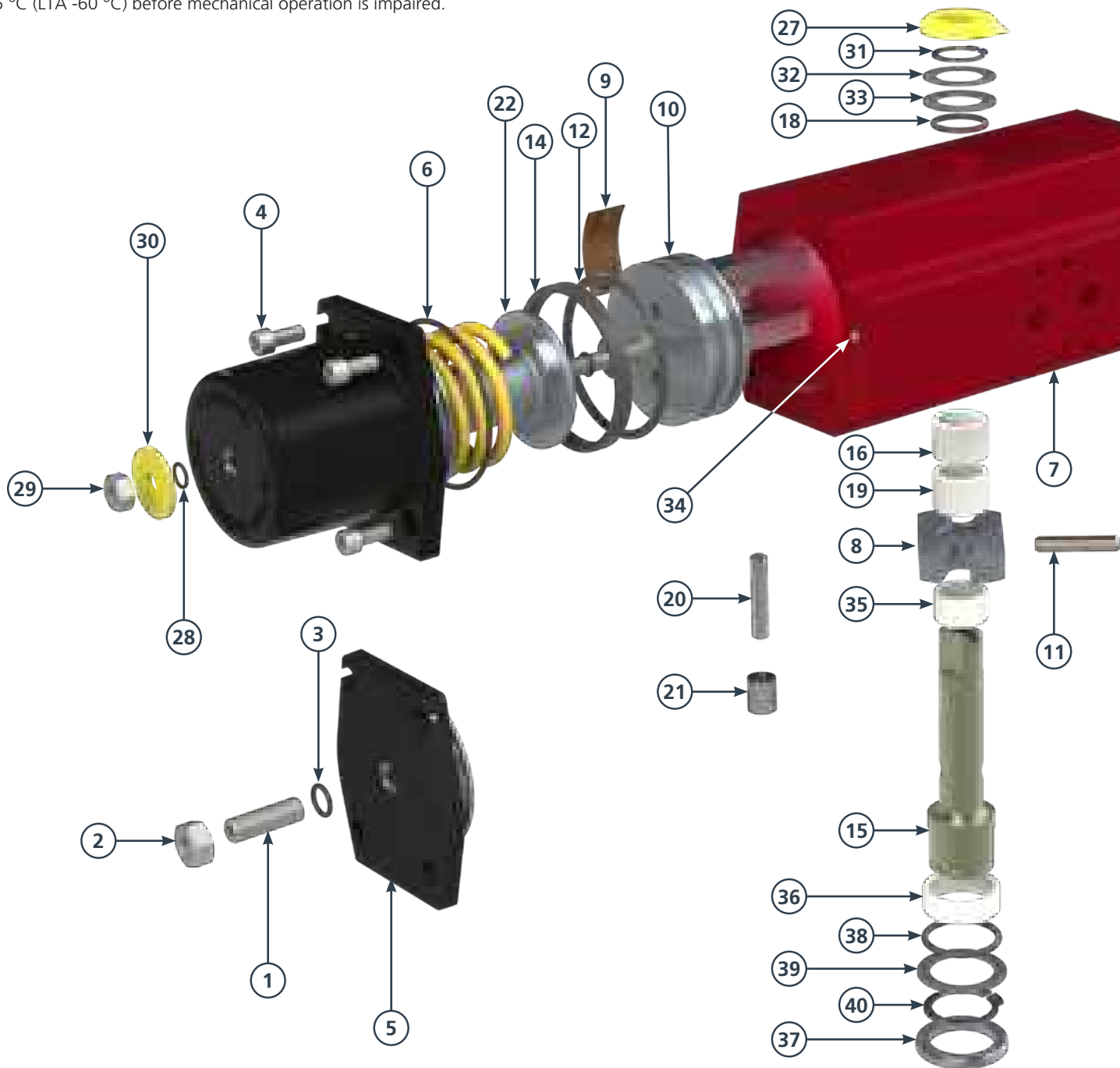
Solenoid valve connection: NAMUR

Fitting accessories: VDI/VDE 3845, NAMUR

Fitting to valve: Hole pattern, centering ring ISO 5211, DIN 3337, NAMUR

Stardrive shaft: ISO 5211 with 90° □ and DIN 79 with 45° ◇ and NAMUR

Certified suitable for use at SIL 2 and SIL 3 as a single device in accordance with IEC 61508.



Inside The RC200 Actuator

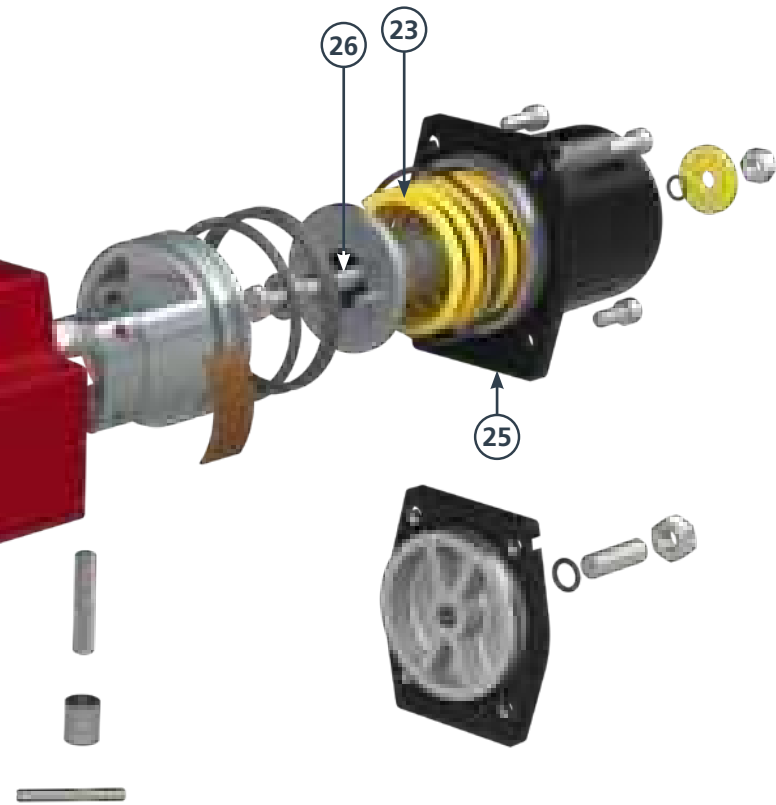
Extra Corrosion Protection:

RCT: hard anodise / low friction polymer treatment.
 Epoxy coating.
 Offshore or other finish to meet customer specifications.
 Stainless screws and drive shaft (standard for RC210 – 260).

Operating Medium:

Air, inert gases (non-dangerous fluids, group 2 according to directive PED 97/23/EC). RC200 actuators are also available for water or oil hydraulics.

CE Marking: CE marked according to PED and ATEX.



Item	Description	Qty DA	Qty SR	Material
1	Adjusting screw ¹	1	-	Size 210–260: Stainless steel. Other sizes: Zinc plated steel
2	Lock nut ¹	1	-	Size 210–260: Stainless steel. Other sizes: Zinc plated steel
3	O-ring ^{1,6}	1	-	Nitrile
4	Screw	8-16	8-16	Size 210–260: Stainless steel. Other sizes: Zinc plated steel
5	End plate with centre hole ¹	1	-	Anodised and powder coated aluminium
6	O-ring ⁶	2	2	Nitrile
7	Actuator body (cylinder)	1	1	Anodised aluminium
8	Scotch Yoke	1	1	Steel
9	Piston guide (support element) ^{1,6}	1	1	POM
10	Piston ¹	1	1	Aluminium
11	Roll pin, double ^{2,3}	1	1	Spring steel
12	O-ring ^{1,6}	1	1	Nitrile
14	Support band - Piston guide ring ^{1,6}	1	1	Polymer material
15	Driving shaft	1	1	Size 210–260: Stainless steel. Other sizes: Zinc plated steel
16	Bearing, upper	1	1	Polymer material
17 [†]	End plate without centre hole ⁴	1	1	Powder coated aluminium
18	O-ring, upper ⁶	1	1	Nitrile
19	Bearing, upper (support ring)	1	1	Polymer material
20	Piston pin ¹	1	1	Steel
21	Piston roller ¹	1	1	Steel
22	Spring guide	-	1	Aluminium
23	Spring, external ¹	-	1	Alloyed spring steel, powder coated
24 [†]	Spring, internal ^{1,5}	-	1	Alloyed spring steel, powder coated
25	Spring housing ¹	-	1	Anodised and powder coated aluminium
26	Pre-tensioning screw ¹	-	1	Size 210–260: Stainless steel. Other sizes: Zinc plated steel
27	Indicator	1	1	Polymer material
28	O-ring ^{1,6}	-	1	Nitrile
29	Lock nut ¹	-	1	Size 210–260: Stainless steel. Other sizes: Zinc plated steel
30	Marking washer ¹	-	1	Anodised aluminium
31	Retaining ring, upper ⁶	1	1	Spring steel, corrosion protected
32	Middle washer ⁶	1	1	Stainless steel
33	Support washer, upper ⁶	1	1	Polymer material, chemically resistant
34	Cylinder housing bore seal	1	1	Size 210-240: Stainless steel. Other sizes: Nitrile
35	Support ring, lower	1	1	Polymer material
36	Bearing, lower	1	1	Polymer material
37	Guide ring	1	1	Polymer material
38	O-ring, lower ⁶	1	1	Nitrile
39	Support washer, lower ⁶	1	1	Polymer material, chemically resistant
40	Retaining ring, lower ⁶	1	1	Spring steel, corrosion protected

Notes 1) For actuator sizes 220, 240, 260 and 280: The double amount of details.
 2) RC240 has triple roll pins. 3) RC270–280 have a slotted pin in steel.
 4) Not in the picture. Do not exist for sizes 220, 240, 260 and 280.
 5) Only for sizes 270 and 280, not in the picture. 6) Included in seal kit.

† Not shown in diagram

Dimensions

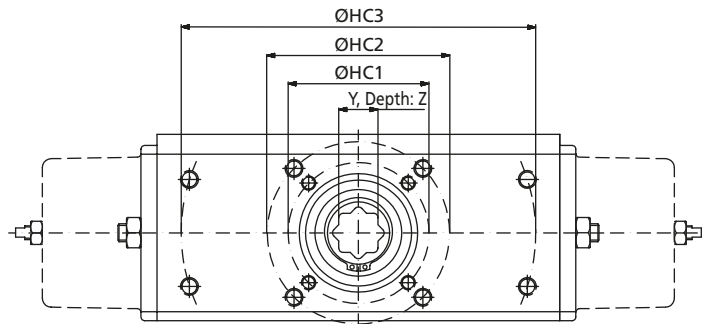


Fig. 1

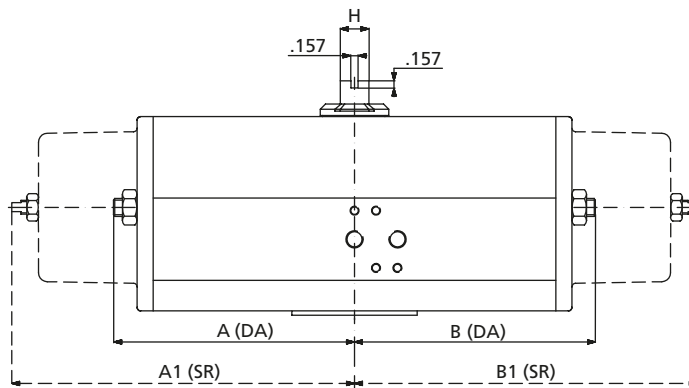


Fig. 2

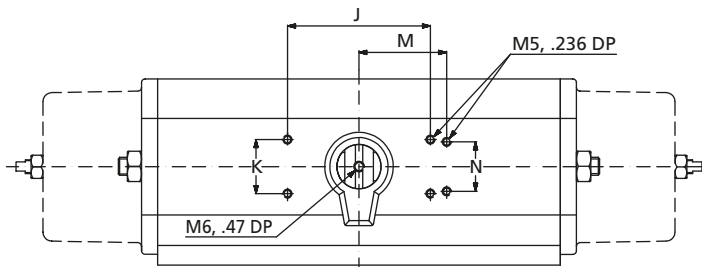


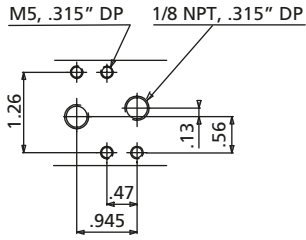
Fig. 3

Model	Dimensions (inch)																						Weight (lbs)	
	Fig. 1					Fig. 2					Fig. 3				Fig. 4/4a								DA	SR
	HC 1	HC 2	HC 3	Y**	Z	A	B	A1	B1	H	J	K	M	N	C	E	F	G	U*	V				
RC210	F05	F07	-	0.55	0.75	1.77	3.85	1.77	5.70	.393	1.39	1.39	1.574	1.18	1.26	1.61	2.95	.630	1.378	.079	2.7	3.3		
RC220	F05	F07	-	0.55	0.75	3.85	3.85	5.91	5.91	.393	3.15	1.18	-	-	1.26	1.61	2.95	.630	1.378	.079	3.6	4.9		
RC230	F07	F10	-	1.18	2.56	5.30	2.56	7.87	.629	3.15	1.18	1.2	-	-	1.93	2.17	4.33	.984	2.170	.118	7.8	9.3		
RC240	F07	F10	-	0.87	1.18	5.30	5.30	7.87	7.87	.629	3.15	1.18	-	-	1.93	2.17	4.33	.984	2.756	.118	10.9	15.6		
RC250	F10	F12	-	0.87	1.46	3.54	7.48	3.54	11.22	.866	3.15	1.18	-	-	2.72	2.95	6.10	1.378	2.756	.118	20.9	27.6		
RC260	F10	F12	-	1.06	1.46	7.48	7.48	11.22	11.22	.866	3.15	1.18	-	-	2.72	2.95	6.10	1.378	3.346	.118	27.8	41.1		
RC265	F12	-	-	1.42	1.46	7.68	7.68	12.48	12.48	.866	3.15	1.18	-	-	2.99	2.99	7.95	1.378	3.346	.118	41.8	59.1		
RC270	F14	-	6.7 x 4.3	1.42	2.52	5.71	11.81	5.71	20.08	1.574	5.12	1.18	-	-	4.33	4.33	9.76	2.362	3.937	.157	71.1	100.0		
RC280†	F12	F16	9.2 x 3.8	1.81	2.52	11.81	11.81	20.08	20.08	1.574	5.12	1.18	-	-	4.33	4.33	9.76	2.362	5.118	.196	93.3	151.1		

† = Also includes valve mounting pattern of 11.81 x 4.33.

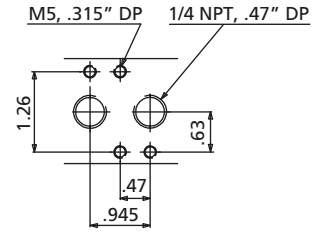
Dimensions

RC210 to 240



RC250 to 280

Hole pattern for solenoid valves acc. to VDI/VDE 3845, NAMUR



RC210 to 265

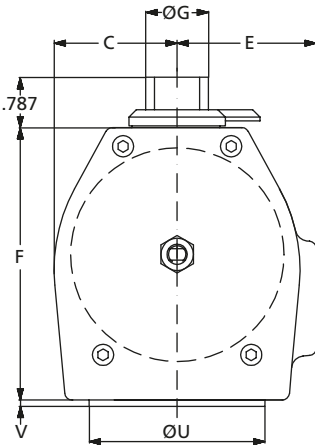


Fig. 4

RC270 to 280

SV = Mounting solenoid valves acc. to VDI/VDE 3845, NAMUR

U+V = Guide ring acc. to DIN 3337

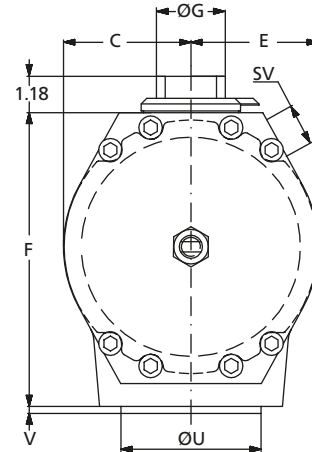


Fig. 4a

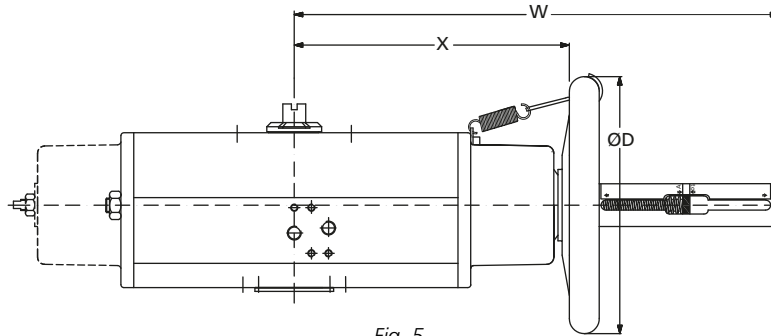


Fig. 5

Model	Dimensions (inch)			Weight	
	D	X	W	DA	SR
	Fig. 5			w/M1 (lbs)	
RC210	7.1	5.7	11.6	4.9	5.5
RC220	7.1	5.7	11.6	6.0	5.5
RC230	7.1	7.5	13.6	10.6	11.7
RC240	7.1	7.5	13.6	12.8	15.7
RC250	12.6	11.6	19.9	30.4	33.5
RC260	12.6	11.6	19.9	35.9	44.5
RC265	12.6	14.6	23.6	53.6	68.3
RC270	15.7	20.3	32.0	103.6	127.2
RC280	23.6	19.3	32.0	121.5	177.9

U* = Guide ring for other hole circle on request.

Y** = Tolerance H9. The hole is octagonal and adapts to valve stems with squares at either 90° (ISO 5711) or 45° (DIN 3337) orientations.

Hole Dimensions (inch)			
ISO 5211	Circle Ø	Thread	Depth
F05	1.97	UNC 1/4-20	.43
F07	2.76	UNC 5/16-18	.55
F10	4.02	UNC 3/8-16	.67
F12	4.92	UNC 1/2-13	0.83
F14	5.51	UNC 5/8-11	.98
F16	6.50	UNC 3/4-10	1.26
6.69 x 4.33	-	UNC 5/8-11	.98
9.24 x 3.82	-	UNC 5/8-11	.98
11.81 x 4.33	-	UNC 5/8-11	.98

Performance Data

Air Consumption DA

Free Air at 6 bar (cubic inches)		
Model	Anti-clockwise rotation	Clockwise rotation
RC210	36.6	67.1
RC220	67.1	79.3
RC230	134.3	244.1
RC240	268.5	305.1
RC250	421.1	793.3
RC260	842.1	976.4
RC265	1952.8	2196.9
RC270	2013.8	3295.3
RC280	4027.6	4088.6

Air Consumption SR

Free Air at 6 bar (cubic inches)	
Model	
RC210	67.1
RC220	79.3
RC230	244.1
RC240	305.1
RC250	793.3
RC260	976.4
RC265	2196.9
RC270	3295.3
RC280	4088.6

Operation Times DA/SR

Time at 6 bar (sec)	
Model	Anti-clockwise and Clockwise rotation
RC210	<0.3
RC220	<0.3
RC230	<0.6
RC240	<0.7
RC250	<2.5
RC260	<2.5
RC265	<1.5
RC270	<5
RC280	<5

The times relate to full air flow and may increase depending on solenoid valves and the dimensions of connecting pipes.



Torque Data – Double-Acting

RC200-DA

Model	Function	Position	Output Torque (lb.ft)*							
		0° = closed 90° = open	2.1 bar 30 psi	2.8 bar 40 psi	3.5 bar 50 psi	4.2 bar 60 psi	4.5 bar 65 psi	5.5 bar 80 psi	6 bar 87 psi	7 bar 100 psi
RC210	Air open/close	0°	10	13	15	18	20	26	28	32
		60°	4	6	7	9	10	13	14	16
		90°	7	9	11	13	14	18	20	24
RC220	Air open/close	0°	19	25	31	38	41	52	56	65
		60°	10	13	15	18	20	26	28	32
		90°	13	18	22	27	29	37	40	46
RC230	Air open/close	0°	35	47	59	71	76	98	107	122
		60°	18	23	29	35	37	49	53	61
		90°	26	34	42	51	55	71	77	89
RC240	Air open/close	0°	72	96	119	144	154	196	214	251
		60°	36	48	60	72	77	98	107	125
		90°	52	69	86	103	111	142	155	177
RC250	Air open/close	0°	111	148	184	221	237	305	332	391
		60°	55	74	92	111	119	152	166	192
		90°	80	105	132	159	170	216	236	280
RC260	Air open/close	0°	225	300	375	450	482	615	671	789
		60°	111	148	184	221	237	311	339	391
		90°	162	216	271	325	347	440	479	568
RC265	Air open/close	0°	319	425	531	637	683	876	956	1115
		60°	150	200	249	299	321	410	447	524
		90°	226	302	378	453	485	623	679	793
RC270	Air open/close	0°	465	620	774	929	996	1278	1394	1623
		60°	232	310	387	465	498	636	693	811
		90°	336	448	559	671	719	920	1003	1173
RC280	Air open/close	0°	937	1249	1561	1873	2007	2569	2803	3282
		60°	468	625	780	937	1004	1285	1401	1637
		90°	675	900	1125	1350	1446	1853	2021	2353

* Output torque +/- 5%.

Torque Data – Spring-Return (spring to close)

RC200-SR

Model	Function	Position	Output Torque (lb.ft)*						
		0° = closed 90° = open	2.1 bar 30 psi	2.8 bar 40 psi	3.5 bar 50 psi	4.2 bar 60 psi	5.5 bar 80 psi	6 bar 87 psi	7 bar 100 psi
RC210	Air	0°	5	7	9	10	14	15	18
		60°	2	3	4	4	6	7	7
		90°	3	4	4	6	7	8	10
	Spring	90°	4	6	7	9	12	13	15
		30°	2	3	4	4	6	7	7
		0°	3	4	5	6	8	9	10
RC220	Air	0°	11	14	18	21	29	30	35
		60°	4	6	7	9	12	13	15
		90°	6	7	9	11	15	16	19
	Spring	90°	10	13	15	18	24	27	32
		30°	4	6	7	9	12	13	15
		0°	7	8	10	13	17	18	21
RC230	Air	0°	20	27	33	40	53	58	68
		60°	9	11	14	17	23	24	29
		90°	11	14	18	21	29	30	35
	Spring	90°	18	23	29	35	46	51	60
		30°	9	11	14	17	23	24	29
		0°	13	16	20	24	32	35	41
RC240	Air	0°	41	54	68	81	108	117	136
		60°	18	23	29	35	46	50	59
		90°	21	29	35	43	57	62	72
	Spring	90°	35	47	59	71	94	103	120
		30°	18	23	29	35	46	50	59
		0°	24	32	41	49	65	71	85
RC250	Air	0°	63	83	105	125	167	181	214
		60°	27	36	46	55	73	77	92
		90°	33	44	55	66	89	96	114
	Spring	90°	55	74	92	111	148	159	188
		30°	27	36	46	55	73	77	92
		0°	37	49	61	74	98	111	129
RC260	Air	0°	128	170	212	254	339	369	428
		60°	55	74	92	111	148	159	184
		90°	66	89	111	133	177	195	229
	Spring	90°	113	150	187	225	300	325	380
		30°	55	74	92	111	148	159	184
		0°	77	103	129	155	207	225	258
RC265	Air	0°	207	275	344	413	495	538	690
		60°	83	111	138	166	207	225	266
		90°	92	123	153	184	223	243	313
	Spring	90°	155	207	258	310	413	450	513
		30°	76	101	126	151	201	243	262
		0°	113	150	187	225	300	325	387
RC270	Air	0°	262	349	437	524	698	760	892
		60°	114	153	190	229	305	325	384
		90°	140	187	234	280	374	406	472
	Spring	90°	232	310	387	465	620	671	782
		30°	114	153	190	229	305	325	384
		0°	159	212	264	317	423	457	531
RC280	Air	0°	527	703	879	1055	1407	1534	1792
		60°	229	305	381	457	610	664	774
		90°	280	374	467	561	747	819	951
	Spring	90°	468	625	780	937	1249	1357	1586
		30°	229	305	381	457	610	664	774
		0°	321	428	535	642	856	929	1084

* Output torque +/- 5%.

Note: Springs adapted to air supply pressure.

Torque Data – Spring-Return (spring to open)

RC200-SRF

Model	Function	Position	Output Torque (lb.ft)*						
		0° = closed 90° = open	2.1 bar 30 psi	2.8 bar 40 psi	3.5 bar 50 psi	4.2 bar 60 psi	5.5 bar 80 psi	6 bar 87 psi	7 bar 100 psi
RC210	Spring	0°	5	7	9	11	15	15	18
		60°	2	3	3	4	6	6	7
		90°	2	3	4	5	7	7	8
	Air	90°	4	5	7	8	11	12	14
		45°	2	3	4	4	6	7	7
		0°	3	5	6	7	10	11	13
RC220	Spring	0°	10	15	18	22	30	32	37
		60°	4	5	7	8	11	11	13
		90°	5	7	9	10	14	15	17
	Air	90°	8	10	13	16	22	24	28
		45°	4	6	7	9	12	13	16
		0°	7	10	12	15	20	22	25
RC230	Spring	0°	20	27	35	42	57	62	69
		60°	7	10	13	15	21	22	24
		90°	9	12	15	18	25	28	30
	Air	90°	15	21	27	32	44	46	55
		45°	8	11	14	17	23	24	30
		0°	13	17	21	27	35	38	49
RC240	Spring	0°	41	57	72	87	118	133	140
		60°	15	20	26	31	42	48	50
		90°	18	25	32	38	52	59	60
	Air	90°	31	43	54	66	89	91	114
		45°	16	23	29	35	47	49	62
		0°	26	35	45	55	74	82	100
RC250	Spring	0°	62	85	107	129	177	195	225
		60°	22	31	39	47	64	71	83
		90°	27	37	47	58	77	89	96
	Air	90°	48	66	81	100	136	144	166
		45°	25	35	44	54	72	77	91
		0°	40	55	72	85	114	118	144
RC260	Spring	0°	129	177	221	273	369	398	457
		60°	46	63	81	100	133	144	162
		90°	57	77	100	118	162	181	207
	Air	90°	100	136	170	207	284	295	343
		45°	52	71	89	111	148	155	184
		0°	81	111	140	170	232	243	291
RC265	Spring	0°	185	247	309	369	494	538	627
		60°	91	114	129	139	192	221	266
		90°	83	111	139	166	221	240	277
	Air	90°	139	184	231	277	369	387	457
		45°	74	100	125	148	192	214	247
		0°	117	155	194	232	295	328	387
RC270	Spring	0°	258	354	457	553	745	811	922
		60°	96	129	1637	199	269	295	332
		90°	114	155	199	236	325	354	406
	Air	90°	199	273	347	420	568	612	738
		45°	107	144	184	221	302	317	398
		0°	170	229	288	354	476	502	597
RC280	Spring	0°	538	738	937	1136	1534	1660	1844
		60°	192	266	339	406	553	575	605
		90°	236	325	413	502	679	738	811
	Air	90°	413	568	723	870	1180	1254	1475
		45°	214	295	376	457	616	664	811
		0°	339	465	594	723	974	1018	1254

* Output torque +/- 5%.

Note: Springs adapted to air supply pressure.

Site Services

Rotork understand the value of prompt, punctual and superior site services. Rotork Site Services have specialist expertise, insight and experience in service support for mission-critical flow control and instrumentation solutions for oil and gas, water and wastewater, power, chemical process and industrial applications. We offer global frontline support backed by dedicated in-house experts.

Our service solutions increase plant efficiency and reduce maintenance costs, while workshop services return equipment to as-new condition. Our experience and understanding of the flow control industry means we have extensive insight and ideas of what we can do to provide significant value to our customers and their operations.

Rotork Site Services is comprised of two main areas; Lifetime Management and Site Services. Lifetime Management is the suite of services within Rotork Site Services which help you manage the risk associated with aging assets and includes our Reliability Services offering. Site Services comprises essential actuator service, repair, maintenance and upgrades.

Rotork has specialist expertise, insight and experience in flow control.

We provide insight into how we can deliver value to our customers.

Our service solutions increase plant efficiency and reduce maintenance costs.



Site Services

Lifetime Management

The services available within Lifetime Management offer a complete solution to managing the risks associated with the life cycle of your equipment and their obsolescence (which compromise reliable performance and valuable uptime).

The aim of Lifetime Management is to provide you with constant support and minimum- to- no disruption to your production flow. It is a customisable service offering designed to seamlessly maintain and improve your assets. We manage the inherent risks associated with advances in technology, component obsolescence and ageing equipment for you. We are committed to helping customers maximise the continuous, fault-free operation and working life of their actuators. Supporting the continuous and reliable operation of your plant allows for improved performance and increases in valuable uptime.

Lifetime Management covers:

- Reliability Services
 - Health Check
 - Planned Maintenance
 - Enhanced Warranty
 - Predictive Maintenance
- Upgrade Services (retrofit)
- Planned Shutdown Support (service or run time)
- Life Cycle Services (based on years in service or run time)
- Overhauls/Refurbishment
- Customised Spares Programme
- Training
- Consultancy



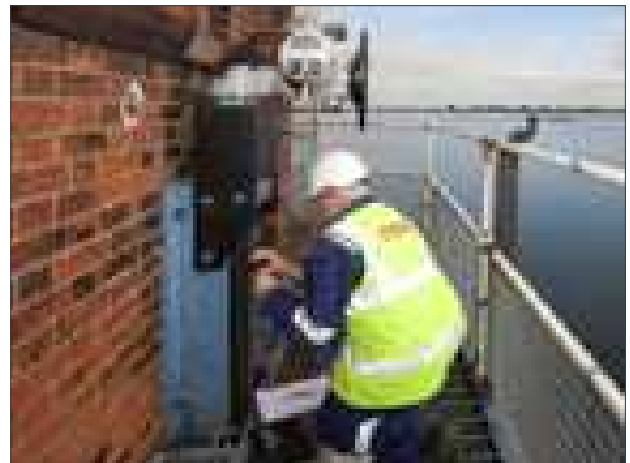
Site Services

Rotork's Site Services comprises the essential on-site actuator service, repair, maintenance and upgrades part of our service offering, plus the commissioning of new actuators and applications. It includes off-site work completed at a Rotork Support Centre including recertification, automation, testing and product selection.

Our decades of experience in the industrial actuation and flow control markets means that customers can rely on us to understand their problems and to deliver reliable, economic solutions. Rotork's talented and experienced engineers have an in-depth understanding of the problems that are faced in the field and they know how to fix them.

On sites where providing evidence of valid asset certification is a legal requirement, Rotork engineers can carry out the necessary OEM level inspections and provide the statutory paperwork to comply with regulations.

- Planned Shutdown Support
- Actuator Workshop Overhaul
- Field Support
- Valve Automation Services
 - On-site
 - Off-site
- Global Support



rotork®



www.rotork.com

A full listing of our worldwide sales and service network is available on our website.

Rotork plc
Brassmill Lane, Bath, UK
tel +44 (0)1225 733200
email mail@rotork.com

PUB014-002-00
Issue 12/22

As part of a process of on-going product development, Rotork reserves the right to amend and change specifications without prior notice. Published data may be subject to change. For the very latest version release, visit our website at www.rotork.com

The name Rotork is a registered trademark. Rotork recognises all registered trademarks. Published and produced in the UK by Rotork. POLJB1222